

## ML269\_TRH Double Toilet Roll Holder with Shelf Top

### Material Specifications

- #304 Satin Stainless Steel
- Seamless welds and rolled edges

### Mounting

- Surface Mount Visible Fix

### Dimensions

- 253mmW x 98mmH x 98mmD

### Finish

- **ML269\_TRH\_PSS**: Polished Stainless Steel
- **ML269\_TRH\_SS**: Satin Stainless Steel

### Installation Guidelines

- *May be subject to Australian Building Code Regulations for height and location fixing and may be subject to placement as per architectural drawings. In all cases, this is the responsibility of the installer.*

1. Locate fixing position in the wall and mark using the fixing holes on the rear of the toilet roll holder.
2. Using screws and wall plugs provided, pre-screw the holes.
3. Loosely secure unit to wall surface using fixings.
4. Level the unit, then push firmly so that it sits flush with the wall.
5. Firmly screw the toilet roll holder into place and click on caps to cover the screws.

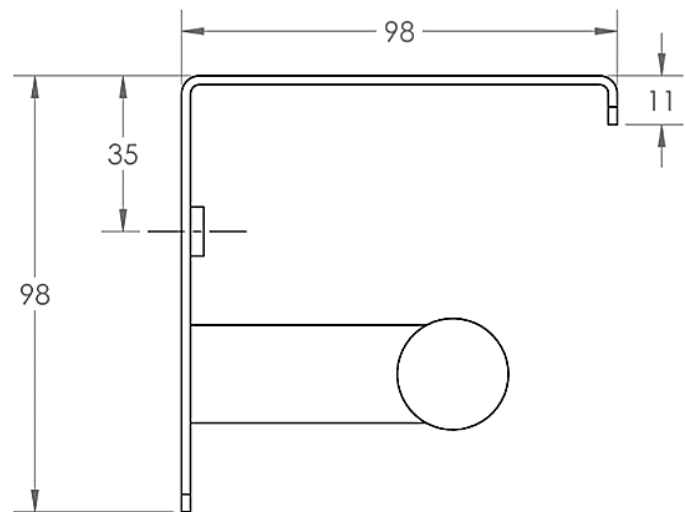
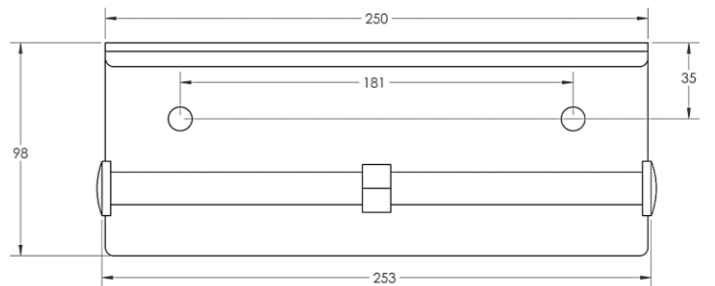
### Features

- Holds two standard toilet rolls.
- Multifunctional unit with shelf top. Upper can hold mobile phone or bag whilst lower holder is for toilet paper roll.
- An ideal solution for Hospitality, Educations and Residential areas.



\*ML269\_TRH\_PSS

\*ML269\_TRH\_SS





This product is AS1428.1 compliant (accessible compliant) when installed in accordance with the guidelines.

*The technical recommendations contained in this document are necessarily of a general nature and should not be relied on for specific applications without first securing competent advice. Whilst Metlam Australia Pty Ltd has taken all reasonable steps to ensure the information contained herein is accurate and current, it does not warrant the accuracy or completeness of the information and does not accept liability for errors or omissions. Any Commercial product should only be installed by a competent tradesperson and serviced/maintained by knowledgeable janitorial staff or competent people. Metlam Australia accepts no responsibility for any damage to product, walls or fixtures due to incorrect installation or maintenance of any of their products.*

The photographs and line drawings of the products presented above are representational only.  
Metlam Australia Pty Ltd reserves the right to, and from time to time, make changes and improvements in design and dimensions.